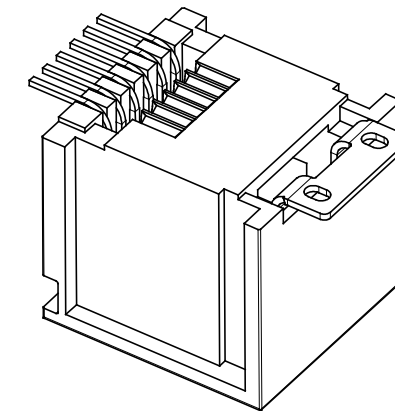
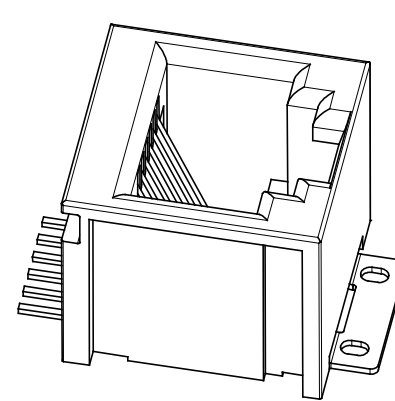
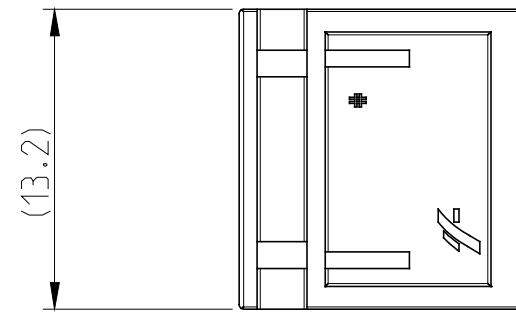
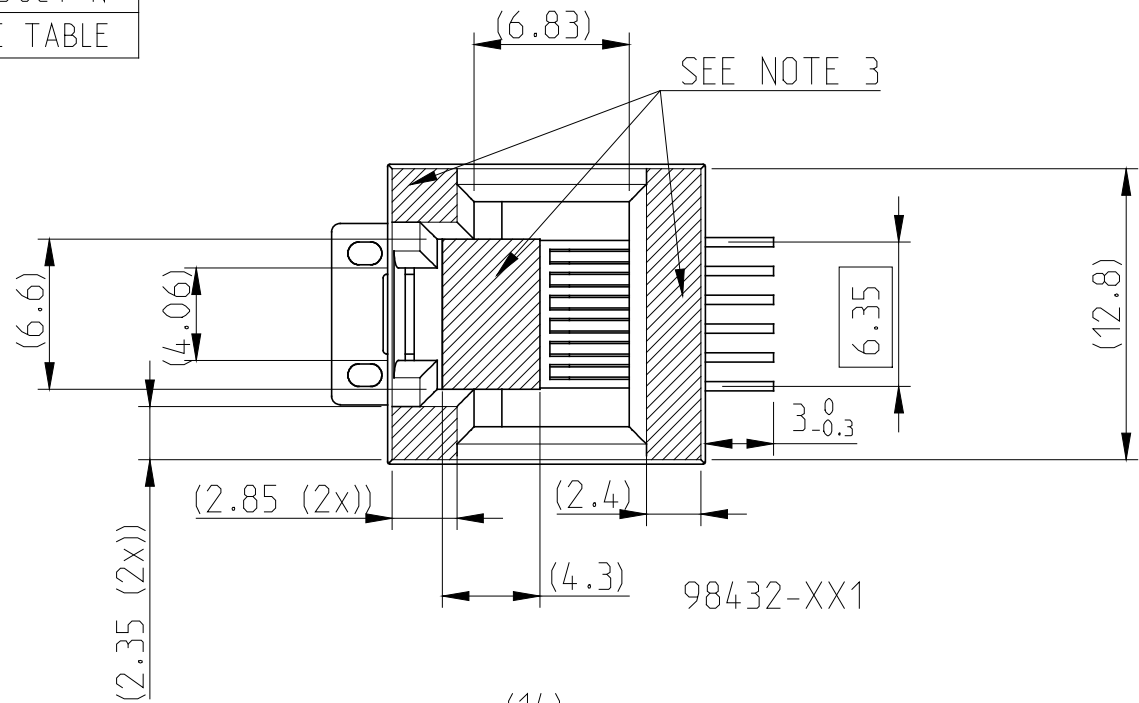


PRODUCT N°  
SEE TABLE

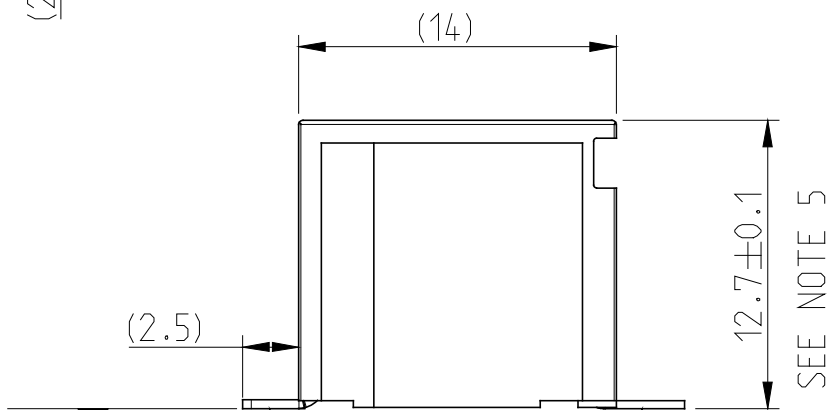


A

B

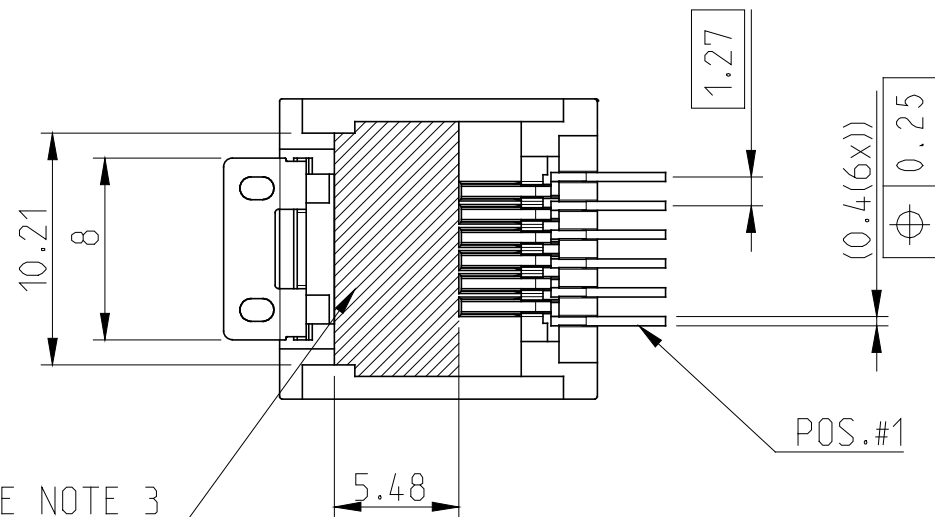
C

D

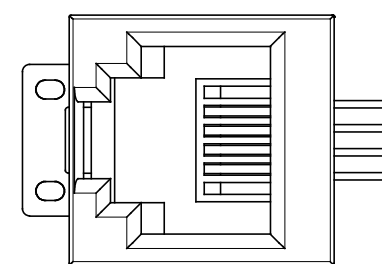


REFERENCE PLAN DEFINED BY THE BEARING SURFACE

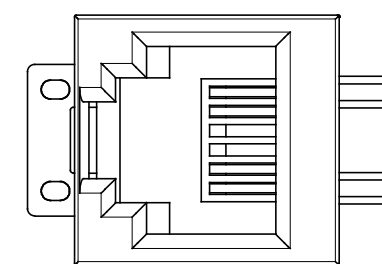
$\square$  0.1  
SEE NOTE 6



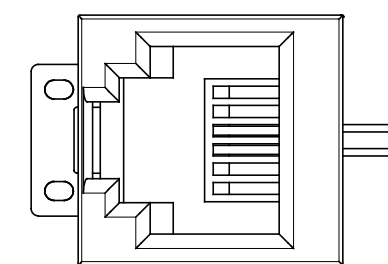
VACUUM AREA FOR 98432-X2XLF



98432-XX2



98432-XX3



98432-XX4

rev	ecn no	dr	date
M	F05-0247	DLE	05.09.30
N	F06-0242	DLE	06.07.20
P	F07-0280	LSA	07.11.29
R	F08-0127	LSA	08-02-15
S	F08-0154	LSA	08-04-04
T	F08-0199	LSA	08-07-02
-	-	-	-

www.fciconnect.com			surface ISO 1302	-	tolerance std ±0.13 ±2'	projection mm	mm	
TOLERANCES UNLESS OTHERWISE SPECIFIED						size A3	Scale 3:1	
Dr	D LEGRAND	02.09.12	ANGULAR	LINEAR	0.X ±Y		ECN F06-0242	
Eng	P NIZZI	02.09.12	0° ±Y°		0.XX ±Y	Spec ref -		
Chr	D LEGRAND	02.09.12	Product family		0.XXX ±Y	-		
Appr	P NIZZI	02.09.12	MODULAR JACK		-		-	
FCJ			title VERTICAL SMT			dwg no 98432		Rev. T
			6 POSITIONS			CUSTOMER		sheet 1 of 2
			catalog no 98432-XXX(LF)					



Copyright FCI.

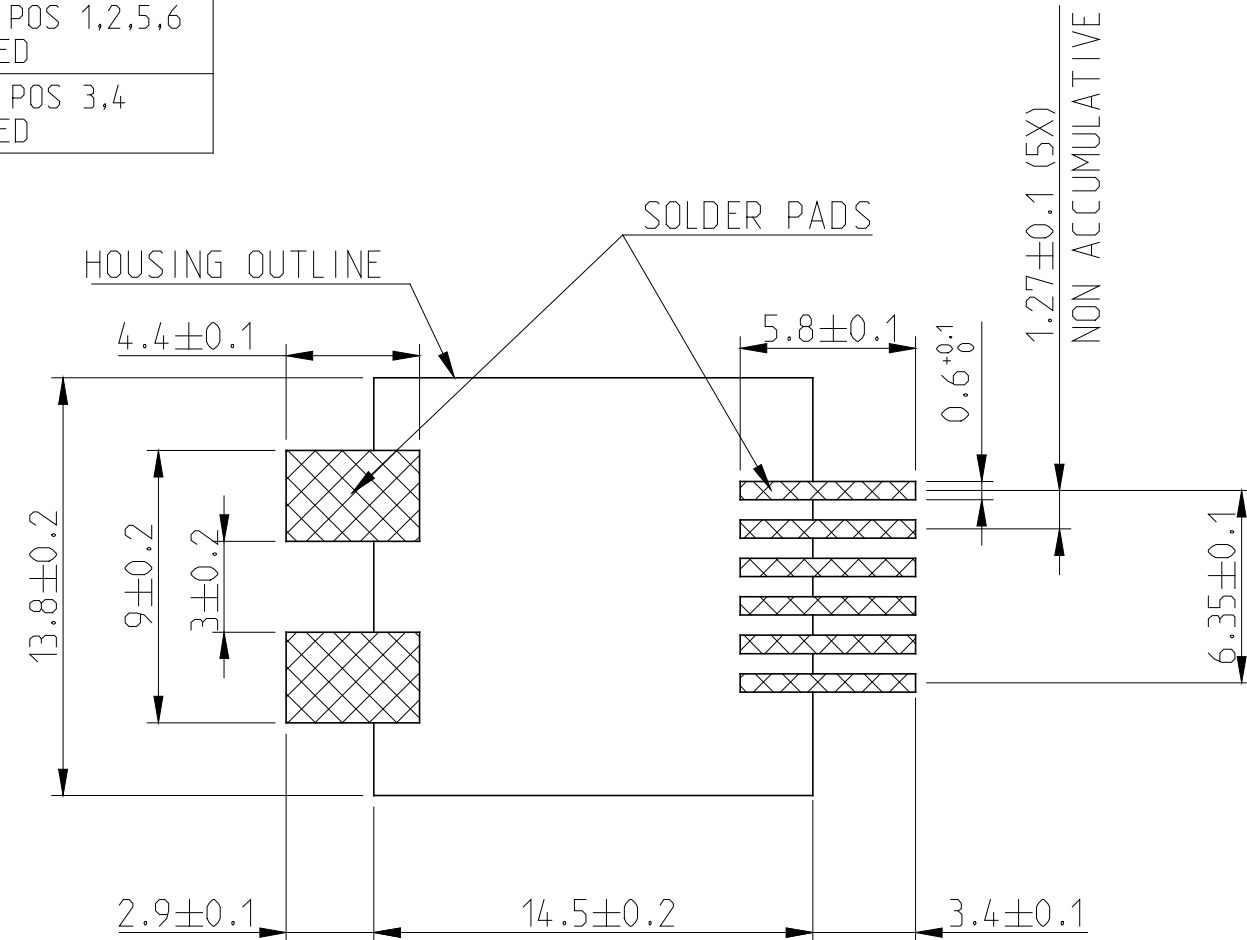
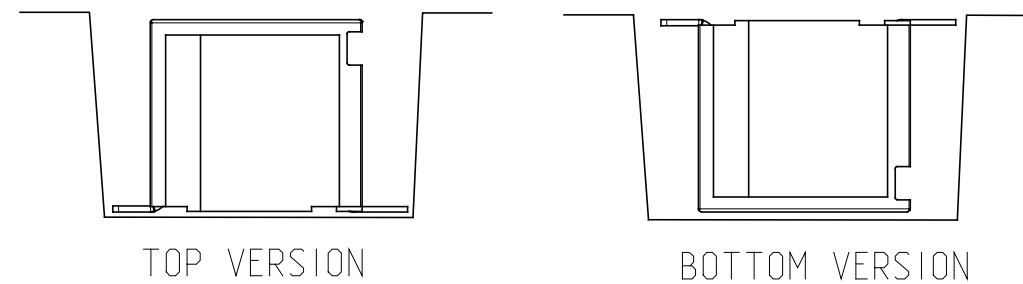
PRODUCT N°  
98432-XXXLF

CONTACT PLATING OPTION
1= GXT 0.76 μm
3= 0.76 μm GOLD
5= 1.27 μm GOLD

PACKAGE OPTIONS	VERSION	PLASTIC COLOR
TAPE AND REEL PACKAGE 1= LOADED FACE UP	TOP	BLACK
TAPE AND REEL PACKAGE 2= LOADED FACE DOWN	BOTTOM	BLACK
TAPE AND REEL PACKAGE 3= LOADED FACE UP	TOP	GREY

TERMINAL LOADING OPTIONS
1 = FULLY LOADED 6 POSITIONS
2 = ONLY POS 2,3,4,5 LOADED
3 = ONLY POS 1,2,5,6 LOADED
4 = ONLY POS 3,4 LOADED

WHEN NEEDED, SUFFIX LETTER "LF" INDICATES THE PRODUCT IS RoHS COMPATIBLE SEE NOTE 7.



RECOMMENDED PCB FOOTPRINT

- NOTES:
- 1 - MATERIAL:  
HOUSING: HIGH TEMP. PLASTIC, COLOR : SEE TABLE HERE ABOVE.  
TERMINAL PHOSPHOR BRONZE
  - 2 - PLATING  
CONTACT AREA: OPTIONAL SEE TABLE  
SOLDER TAIL: SnPb 90/10 2 μm MIN  
NO RAW EDGES EXCEPT SOLDER TAILS TIPS
  - 3 - AREA FOR VACUUM PICK AND PLACE VENTURY
  - 4 - PACKAGING SPECIFICATION SEE TA 858
  - 5 - DIMENSION MEASURED FROM "A" TO THE TOP OF PRODUCT
  - 6 - COPLANARITY SEE TA 861.
  - 7 - RoHS COMPATIBLE PRODUCT SPECIFICATIONS
- a - PLATING:  
- "LF" MEANS THE PRODUCT IS LEAD-FREE,  
2 μm MINIMUM MATTE TIN OVER 1.27 μm  
MINIMUM NICKEL UNDERPLATE.
- b - MANUFACTURING PROCESS COMPATIBILITY:  
- THE HOUSING WILL WITHSTAND EXPLOSURE TO  
245 °C PEAK TEMPERATURE FOR 30 SECONDS  
MAX IN A CONVECTION, INFRA-RED OR VAPOR  
PHASE OR REFLOW OVEN.
- c - LABELLING:  
- MEETS PACKAGING SPECS AS PER GS-14-920.
- d - LEGAL STATEMENT: SEE GS-22-008

www.fciconnect.com			surface ISO 1302	- ✓	tolerance std ±0.13 ±2'	projection ⊕	mm
			TOLERANCES UNLESS OTHERWISE SPECIFIED				
Dr	D LEGRAND	02.09.12	ANGULAR	LINEAR	0.X	±Y	size A3
Eng	P NIZZI	02.09.12			0.XX	±Y	Scale 5:1
Chr	D LEGRAND	02.09.12			0.XXX	±Y	ECN F06-0242
Appr	P NIZZI	02.09.12	Product family		MODULAR JACK	Spec ref	-
			title		VERTICAL SMT		Rev.
			dwg no		98432		T
			catalog no		98432-XXX(LF)		sheet 2 of 2